

PARTS LIST

[RM-RE9000]

* All printed circuit boards and its assemblies are not available as service parts.

Area suffix

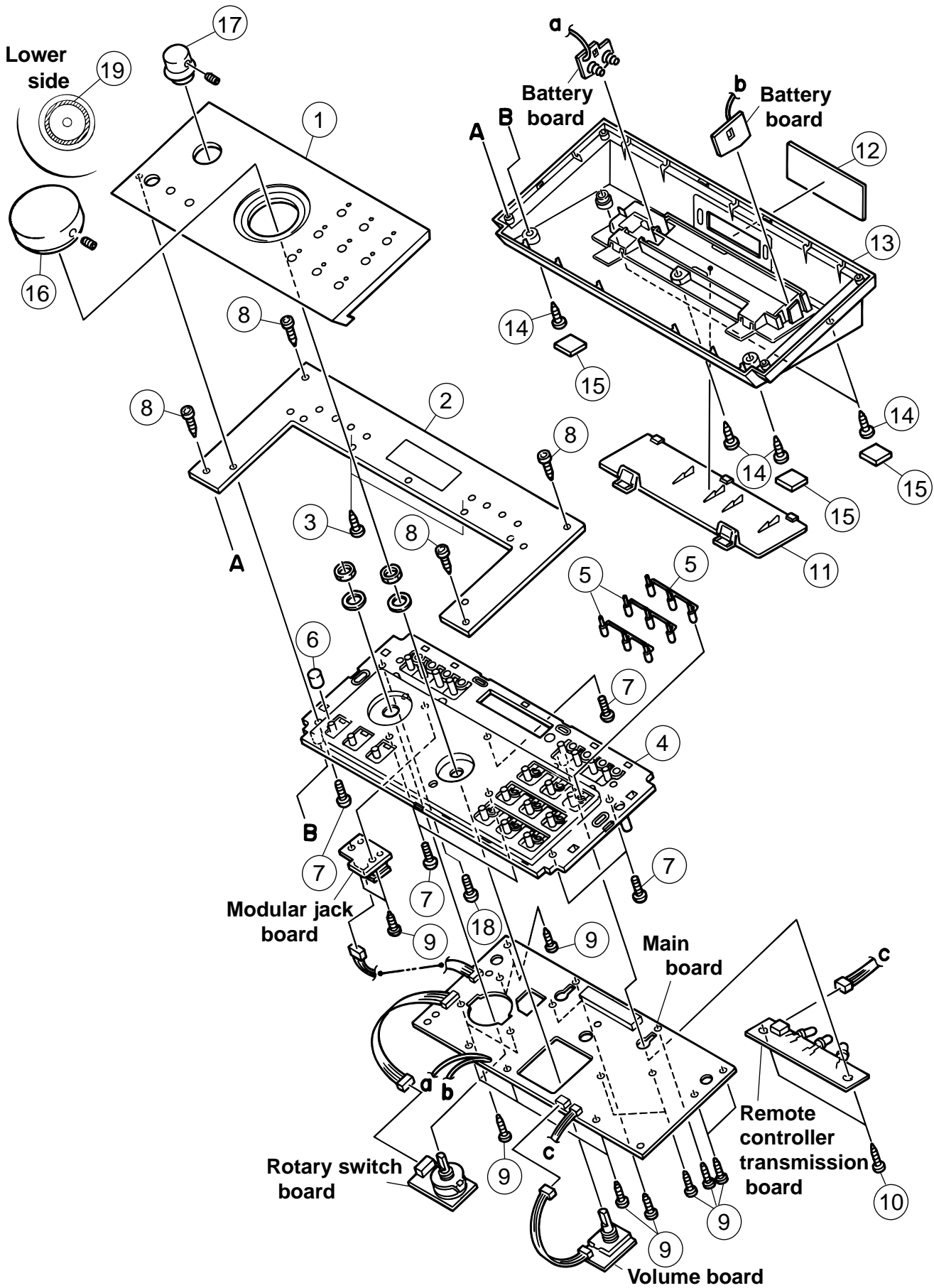
E ----- Continental Europe

- Contents -

Exploded view of general assembly and parts list	3-2
Electrical parts list	3-4
Packing materials and accessories parts list	3-6

Exploded view of general assembly and parts list

Block No. M 1 M M



Parts list (General assembly)

Block No. M1MM

▲	Item	Parts number	Parts name	Q'ty	Description	Area
	1	LV20618-003A	TOP PANEL	1		
	2	LV20624-005A	LENS	1		
	3	QYSPSP3008M	SCREW	2	TOP-LENS	
	4	LV10323-002A	BASE	1		
	5	LV41482-001A	INDICATOR	3		
	6	LV41547-001A	CAP	1		
	7	QYSPSP3010Z	SCREW	6	TOP-BASE	
	8	LV40744-002A	SOCKET BOLT	4	LENS-BASE	
	9	QYSDSF2608Z	SCREW	16	C.B-BASE	
	10	QYSDSF2608Z	SCREW	2		
	11	LV20623-001A	BATT. COVER	1		
	12	LV41481-001A	REMOTE LENS	1		
	13	LV10322-002A	BOTTOM CASE	1		
	14	QYSBSF3010Z	SCREW	5	BOTTOM-BASE	
	15	E75896-001	FELT SPACER	4	BOTTOM CASE	
	16	LV31626-001A	VOL KNOB	1		
	17	LV31627-001A	SEL KNOB	1		
	18	QYSPSPL3012Z	SCREW	1	TOP-BASE	
	19	LV41797-001A	SPACER	1	VOL KNOB	

■ Electrical parts list (Main board)

Block No. 01

△	Item	Parts number	Parts name	Remarks	Area	△	Item	Parts number	Parts name	Remarks	Area
	C 101	QER60JM-476Z	E CAPACITOR	47MF 20% 6.3V			D 148	1SS133-T1	SI DIODE		
	C 102	NCF21EZ-104X	C CAPACITOR				D 149	1SS133-T1	SI DIODE		
	C 103	NCF21EZ-104X	C CAPACITOR				D 150	1SS133-T1	SI DIODE		
	C 104	QER60JM-476Z	E CAPACITOR	47MF 20% 6.3V			D 151	11E2-T5	DIODE		
	C 106	NCF21EZ-104X	C CAPACITOR				D 152	MTZJ6.8A-T2	ZENER DIODE		
	C 107	QER61AM-227Z	E CAPACITOR	220MF 20% 10V			D 153	MTZJ6.8A-T2	ZENER DIODE		
	C 108	NCF21CZ-155X	C CAPACITOR				D 201	SRZ-932C-22-T14	LED		
	C 109	NCF21CZ-155X	C CAPACITOR				D 202	SRZ-932C-22-T14	LED		
	C 110	NCF21CZ-155X	C CAPACITOR				D 203	SRZ-932C-22-T14	LED		
	C 111	NCF21CZ-155X	C CAPACITOR				D 701	RB160L-40-X	SB DIODE		
	C 112	NCF21CZ-155X	C CAPACITOR				D 702	RB160L-40-X	SB DIODE		
	C 113	NCF21CZ-155X	C CAPACITOR				IC101	MN101CP117	IC(MCU)		
	C 114	NCF21CZ-155X	C CAPACITOR				IC102	PST529G	IC		
	C 115	NCF21CZ-155X	C CAPACITOR				IC103	MAX1674EUA-X	IC		
	C 116	NCF21CZ-155X	C CAPACITOR				IC104	BU2114F-X	IC		
	C 118	NCF21CZ-155X	C CAPACITOR				IC105	BU2114F-X	IC		
	C 119	NCF21CZ-155X	C CAPACITOR				IC106	BU2114F-X	IC		
	C 120	NCF21CZ-155X	C CAPACITOR				IC107	BU2114F-X	IC		
	C 121	NCS21HJ-331X	C CAPACITOR				IC108	BU2114F-X	IC		
	C 122	NCS21HJ-331X	C CAPACITOR				IC109	BU2114F-X	IC		
	C 123	NCS21HJ-331X	C CAPACITOR				IC110	BU2114F-X	IC		
	C 124	NCS21HJ-331X	C CAPACITOR				IC111	TC74VHC123AF-X	IC		
	CN101	QJB002-031803	E-S-ID WIRE C-B				IC112	TC74VHC08F-X	IC		
	CN102	QJB002-060801	E-S-ID WIRE C-B				J 501	QNZ0004-001	MODULAR JACK		
	CN103	QGA2001F1-03	CONNECTOR				JS401	QSW0867-001	ROTARY ENCODER		
	CN104	QJB002-040904	E-S-ID WIRE C-B				L 101	NQL32CM-220X	INDUCTOR		
	CN201	QGA2001F1-03	CONNECTOR				Q 101	2SD1328/ST-X	TRANSISTOR		
	CN301	QGA2001F1-06	6P PLUG ASSY				Q 103	DTB113ZK-X	D TRANSISTOR		
	CN401	QJB002-030803	E-S-ID WIRE C-B				Q 104	DTC114YKA-X	D TRANSISTOR		
	CN501	QGA2001C1-04	4P PLUG ASSY				R 101	NRSA02J-221X	MG RESISTOR		
	D 101	SLR-342MC-T	LED				R 106	NRSA02J-105X	MG RESISTOR		
	D 102	SLR-342MC-T	LED				R 108	NRSA02J-103X	MG RESISTOR		
	D 103	SLR-342VC-T	LED				R 109	NRSA02J-103X	MG RESISTOR		
	D 104	SLR-342MC-T	LED				R 110	NRSA02J-121X	MG RESISTOR		
	D 105	SLR-342MC-T	LED				R 111	NRSA02J-121X	MG RESISTOR		
	D 107	SELU2E10C	LED				R 112	NRSA02J-331X	MG RESISTOR		
	D 108	SELU2E10C	LED				R 113	NRSA02J-121X	MG RESISTOR		
	D 109	SLR-342VC-T	LED				R 114	NRSA02J-121X	MG RESISTOR		
	D 110	SLR-342MC-T	LED				R 115	NRSA02J-331X	MG RESISTOR		
	D 111	SLR-342DC-T	LED				R 116	NRSA02J-331X	MG RESISTOR		
	D 112	SLR-342DC-T	LED				R 117	NRSA02J-561X	MG RESISTOR		
	D 113	SLR-342DC-T	LED				R 118	NRSA02J-221X	MG RESISTOR		
	D 114	SLR-342DC-T	LED				R 119	NRSA02J-271X	MG RESISTOR		
	D 115	SLR-342DC-T	LED				R 120	NRSA02J-271X	MG RESISTOR		
	D 116	SLR-342DC-T	LED				R 121	NRSA02J-271X	MG RESISTOR		
	D 117	SLR-342DC-T	LED				R 122	NRSA02J-271X	MG RESISTOR		
	D 120	LA-401VD	7 SEGMENT LED				R 123	NRSA02J-271X	MG RESISTOR		
	D 121	LA-401VD	7 SEGMENT LED				R 124	NRSA02J-271X	MG RESISTOR		
	D 123	LA-401VD	7 SEGMENT LED				R 125	NRSA02J-271X	MG RESISTOR		
	D 124	LA-401VD	7 SEGMENT LED				R 126	NRSA02J-331X	MG RESISTOR		
	D 125	LA-401VD	7 SEGMENT LED				R 127	NRSA02J-331X	MG RESISTOR		
	D 133	1SS133-T1	SI DIODE				R 128	NRSA02J-331X	MG RESISTOR		
	D 134	1SS133-T1	SI DIODE				R 129	NRSA02J-331X	MG RESISTOR		
	D 135	1SS133-T1	SI DIODE				R 130	NRSA02J-331X	MG RESISTOR		
	D 136	1SS133-T1	SI DIODE				R 131	NRSA02J-331X	MG RESISTOR		
	D 137	1SS133-T1	SI DIODE				R 132	NRSA02J-331X	MG RESISTOR		
	D 138	1SS133-T1	SI DIODE				R 133	NRSA02J-331X	MG RESISTOR		
	D 139	1SS133-T1	SI DIODE				R 134	NRSA02J-331X	MG RESISTOR		
	D 140	1SS133-T1	SI DIODE				R 135	NRSA02J-331X	MG RESISTOR		
	D 143	11E2-T5	DIODE				R 136	NRSA02J-331X	MG RESISTOR		
	D 145	1SS133-T1	SI DIODE				R 137	NRSA02J-331X	MG RESISTOR		
	D 146	1SS133-T1	SI DIODE				R 138	NRSA02J-331X	MG RESISTOR		
	D 147	1SS133-T1	SI DIODE				R 139	NRSA02J-331X	MG RESISTOR		

■ Electrical parts list (Main board)

Block No. 01

△	Item	Parts number	Parts name	Remarks	Area
	R 140	NRSA02J-331X	MG RESISTOR		
	R 141	NRSA02J-331X	MG RESISTOR		
	R 142	NRSA02J-331X	MG RESISTOR		
	R 143	NRSA02J-331X	MG RESISTOR		
	R 144	NRSA02J-331X	MG RESISTOR		
	R 145	NRSA02J-331X	MG RESISTOR		
	R 146	NRSA02J-331X	MG RESISTOR		
	R 147	NRSA02J-331X	MG RESISTOR		
	R 148	NRSA02J-331X	MG RESISTOR		
	R 149	NRSA02J-331X	MG RESISTOR		
	R 150	NRSA02J-331X	MG RESISTOR		
	R 151	NRSA02J-331X	MG RESISTOR		
	R 152	NRSA02J-331X	MG RESISTOR		
	R 153	NRSA02J-331X	MG RESISTOR		
	R 154	NRSA02J-331X	MG RESISTOR		
	R 155	NRSA02J-331X	MG RESISTOR		
	R 156	NRSA02J-331X	MG RESISTOR		
	R 157	NRSA02J-331X	MG RESISTOR		
	R 158	NRSA02J-331X	MG RESISTOR		
	R 159	NRSA02J-331X	MG RESISTOR		
	R 160	NRSA02J-331X	MG RESISTOR		
	R 161	NRSA02J-331X	MG RESISTOR		
	R 162	NRSA02J-331X	MG RESISTOR		
	R 163	NRSA02J-331X	MG RESISTOR		
	R 164	NRSA02J-331X	MG RESISTOR		
	R 165	NRSA02J-331X	MG RESISTOR		
	R 166	NRSA02J-223X	MG RESISTOR		
	R 167	NRSA02J-223X	MG RESISTOR		
	R 168	NRSA02J-223X	MG RESISTOR		
	R 169	NRSA02J-223X	MG RESISTOR		
	R 170	NRSA02J-223X	MG RESISTOR		
	R 171	NRSA02J-223X	MG RESISTOR		
	R 172	NRSA02J-223X	MG RESISTOR		
	R 173	NRSA02J-223X	MG RESISTOR		
	R 175	NRSA02J-102X	MG RESISTOR		
	R 176	NRSA02J-0R0X	MG RESISTOR		
	R 179	NRSA02J-223X	MG RESISTOR		
	R 180	NRSA02J-223X	MG RESISTOR		
	R 181	NRSA02J-223X	MG RESISTOR		
	R 182	NRSA02J-223X	MG RESISTOR		
	R 183	NRSA02J-223X	MG RESISTOR		
	R 184	NRSA02J-682X	MG RESISTOR		
	R 185	NRSA02J-223X	MG RESISTOR		
	R 186	NRSA02J-103X	MG RESISTOR		
	R 189	NRSA02J-103X	MG RESISTOR		
	R 201	NRSA02J-3R9X	MG RESISTOR		
	R 202	NRSA02J-3R9X	MG RESISTOR		
	R 203	NRSA02J-3R9X	MG RESISTOR		
	S 101	QSW0802-001Z	TACT SWITCH		
	S 102	QSW0802-001Z	TACT SWITCH		
	S 103	QSW0802-001Z	TACT SWITCH		
	S 104	QSW0802-001Z	TACT SWITCH		
	S 105	QSW0802-001Z	TACT SWITCH		
	S 106	QSW0802-001Z	TACT SWITCH		
	S 107	QSW0802-001Z	TACT SWITCH		
	S 108	QSW0802-001Z	TACT SWITCH		
	S 109	QSW0802-001Z	TACT SWITCH		
	S 110	QSW0802-001Z	TACT SWITCH		
	S 111	QSW0802-001Z	TACT SWITCH		
	S 112	QSW0802-001Z	TACT SWITCH		
	S 113	QSW0802-001Z	TACT SWITCH		
	S 114	QSW0802-001Z	TACT SWITCH		
	S 115	QSW0802-001Z	TACT SWITCH		

△	Item	Parts number	Parts name	Remarks	Area
	S 116	QSW0802-001Z	TACT SWITCH		
	S 117	QSW0802-001Z	TACT SWITCH		
	S 118	QSW0802-001Z	TACT SWITCH		
	S 119	QSW0802-001Z	TACT SWITCH		
	S 120	QSW0802-001Z	TACT SWITCH		
	S 301	QSW0864-001	ROTARY SWITCH		
	W 601	VYH7199-001	BATTERY SPRING		
	W 602	VYH7199-001	BATTERY SPRING		
	X 101	QAX0246-001Z	RESONATOR		

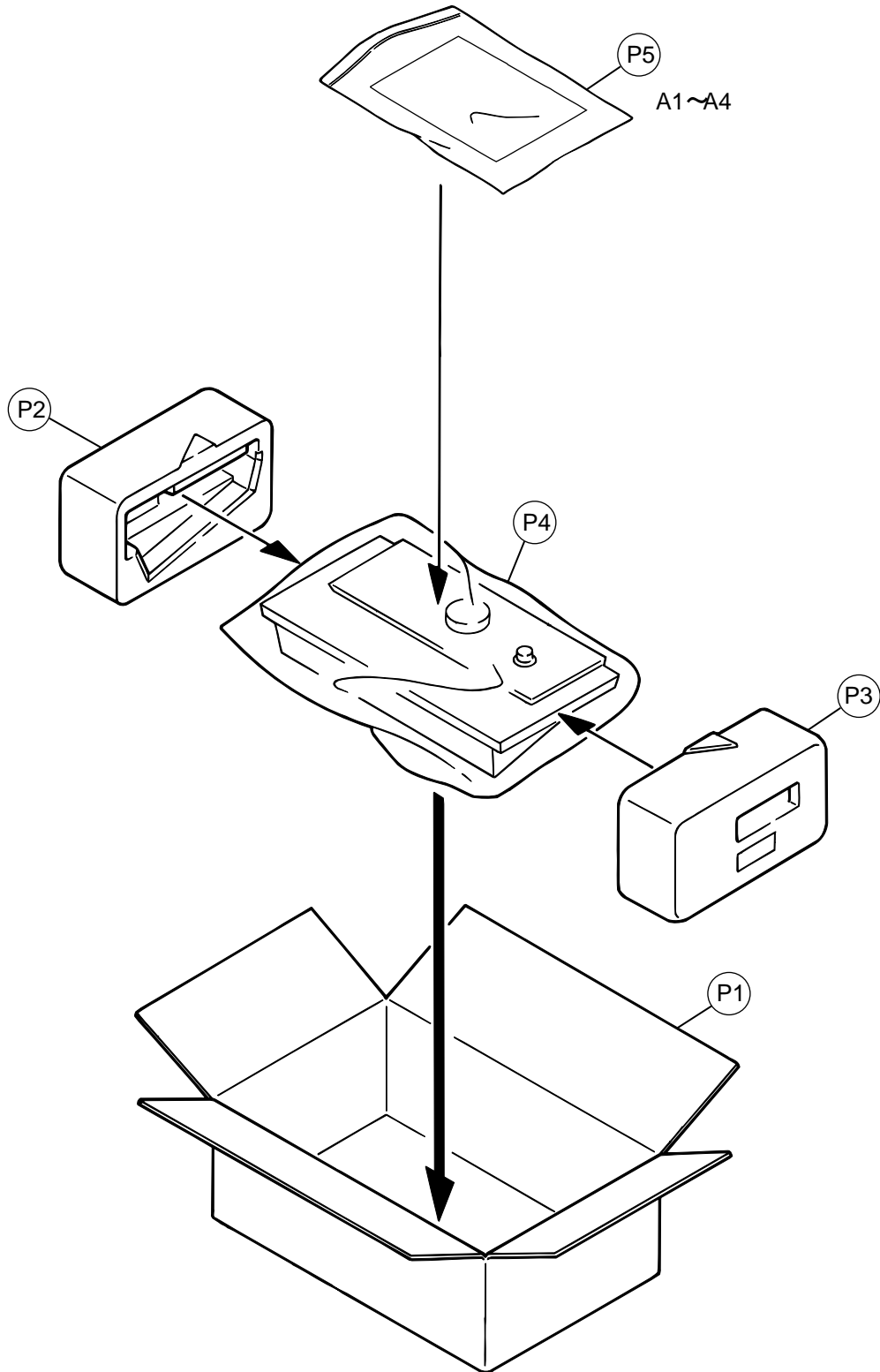
Packing materials and accessories parts list

Block No.

M	2	M	M
---	---	---	---

Block No.

M	3	M	M
---	---	---	---



Parts list (Packing)

Block No. M2MM

△	Item	Parts number	Parts name	Q'ty	Description	Area
	P 1	LV31629-002A	CARTON BOX	1		
	P 2	LV31630-001A	CUSHION(L)	1		
	P 3	LV31631-001A	CUSHION(R)	1		
	P 4	QPC02204515	POLY BAG	1	FOR SET	
	P 5	QPB01702404P	POLY BAG	1	FOR INST	

Parts list (Accessories)

Block No. M3MM

△	Item	Parts number	Parts name	Q'ty	Description	Area
	A 1	LVT0653-001A	INST.BOOK	1	ENG	
	A 2	-----	AL BATTERY	2		
	A 3	QPH01501510	SHEET	1	AL BATTERY	
	A 4	BT-54013-2	W.CARD	1		